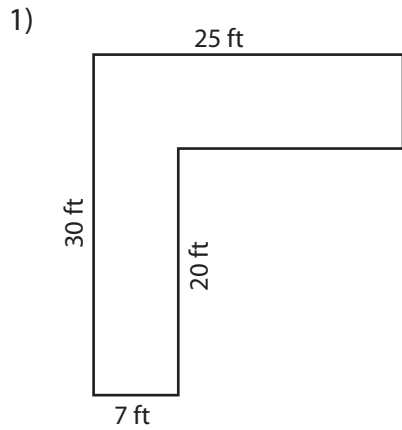


Name : _____

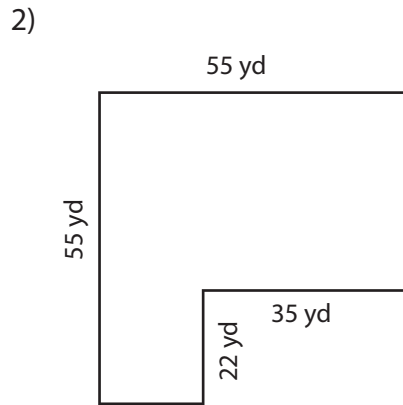
Area of L-Shapes

Sheet 1

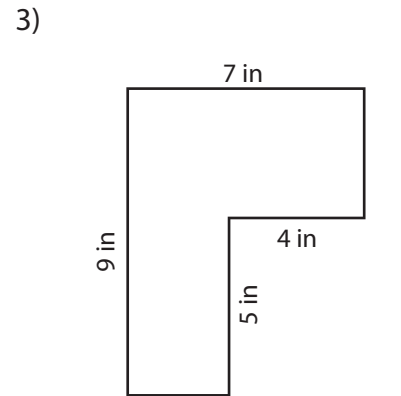
Find the area of each shape.



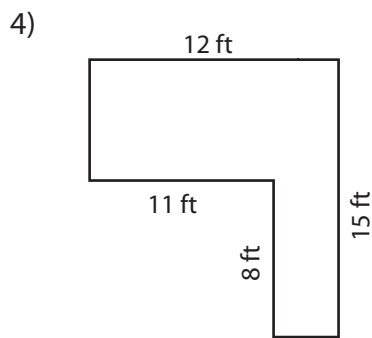
Area = _____



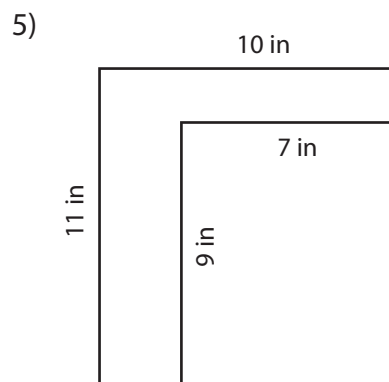
Area = _____



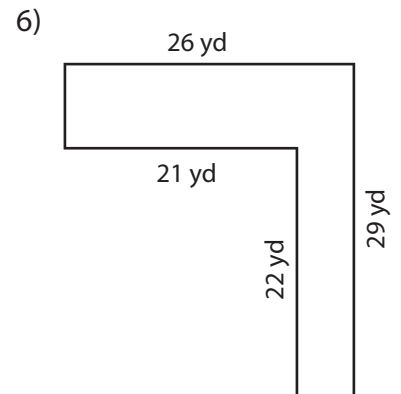
Area = _____



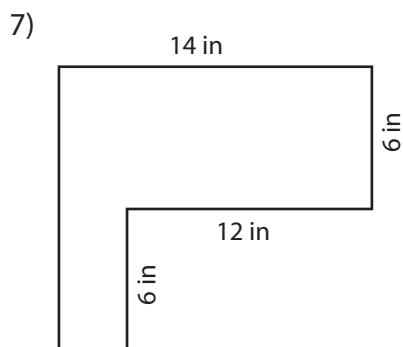
Area = _____



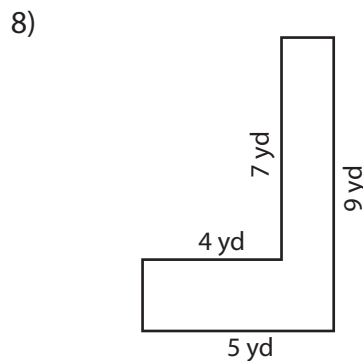
Area = _____



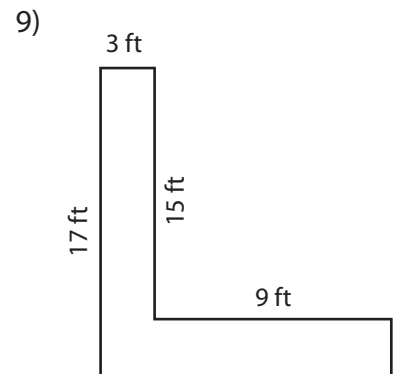
Area = _____



Area = _____



Area = _____



Area = _____

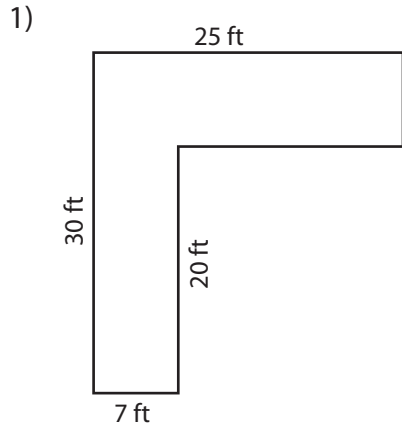
Name : _____

Answer key

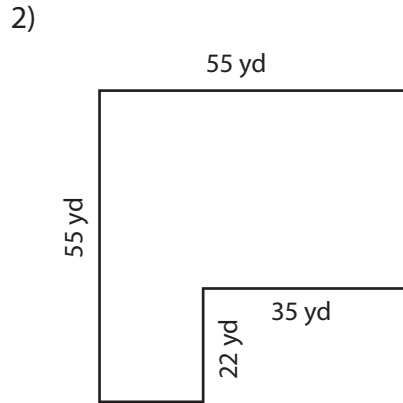
Area of L-Shapes

Sheet 1

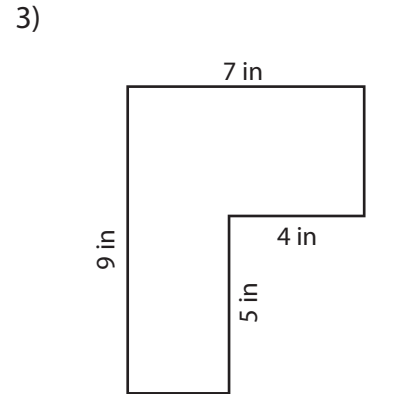
Find the area of each shape.



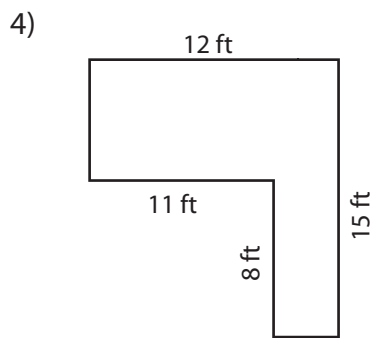
Area = 390 ft²



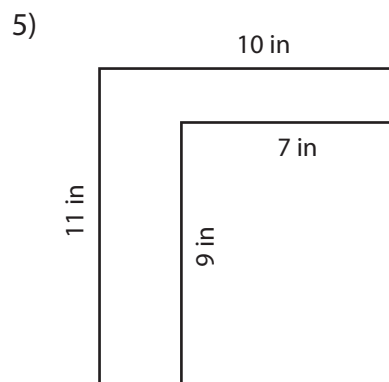
Area = 2,255 yd²



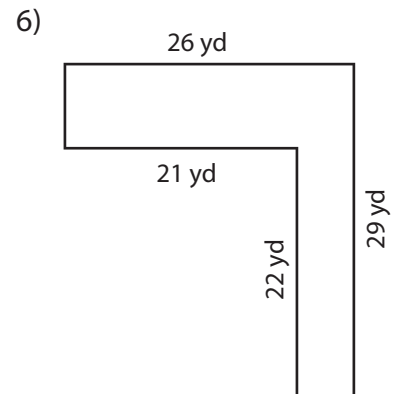
Area = 43 in²



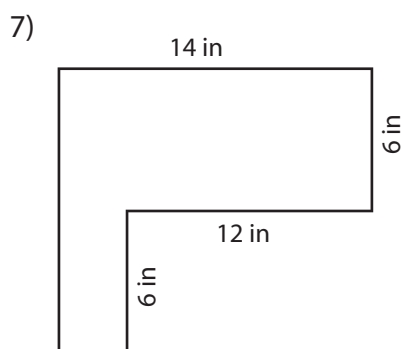
Area = 92 ft²



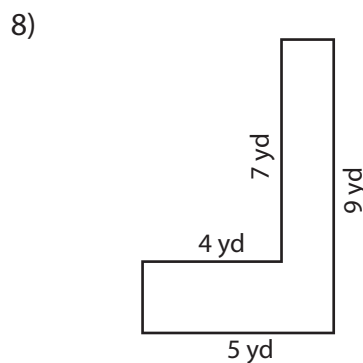
Area = 47 in²



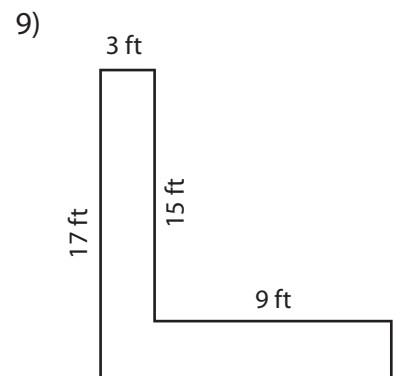
Area = 292 yd²



Area = 96 in²



Area = 17 yd²



Area = 69 ft²