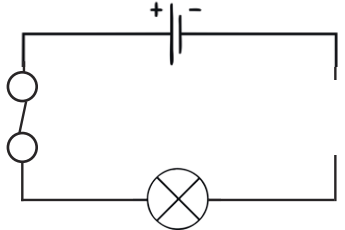
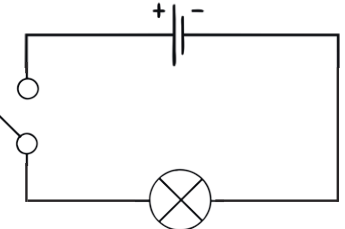
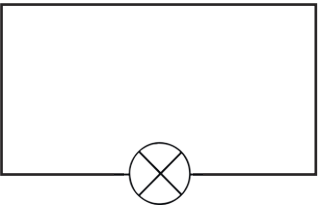
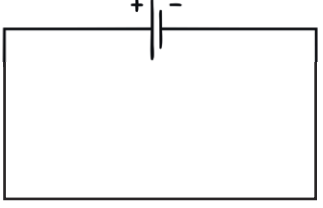
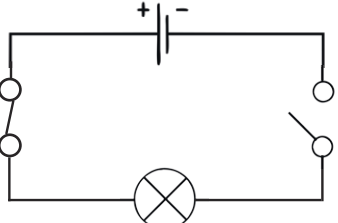
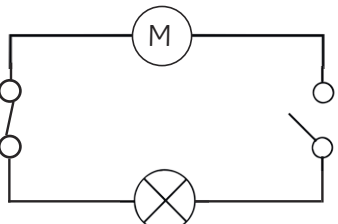


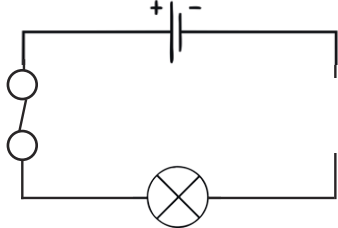
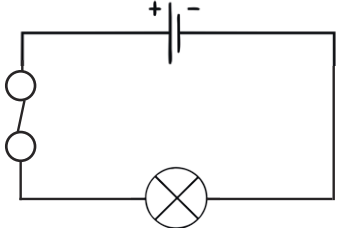
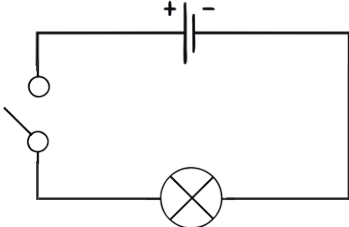
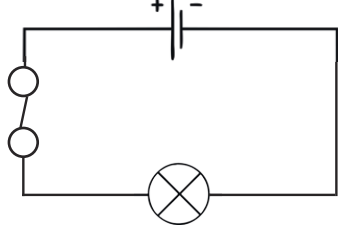
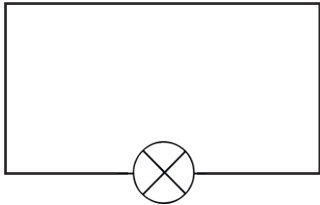
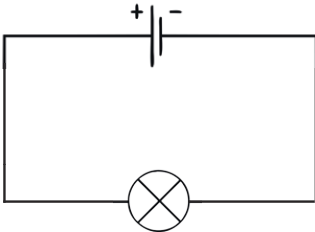
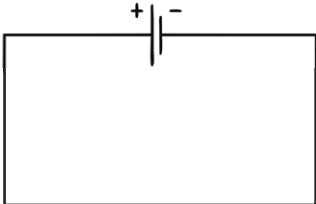
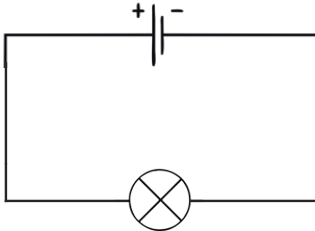
Find the Fault

Fault Finding Circuit Number	Will the bulb light? yes/no	Where is the fault on the circuit? Circle the fault.	Draw the correct circuit that will light the bulb.	Describe how you fixed the fault to light the bulb.
1				
2				
3				
4				

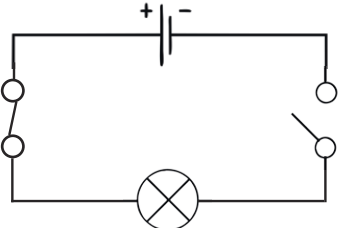
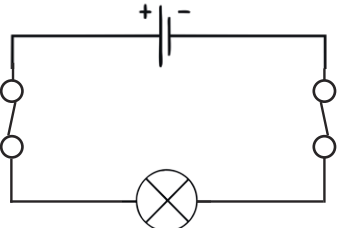
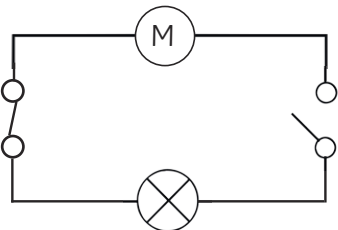
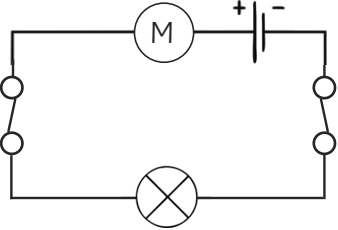
5				
6				



Find the Fault Answers

Fault Finding Circuit Number	Will the bulb light? yes/no	Where is the fault on the circuit? Circle the fault.	Draw the correct circuit that will light the bulb.	Describe how you fixed the fault to light the bulb.
1	no			Student's answers may vary. I placed a wire between the cell and bulb to complete the circuit.
2	no			Student's answers may vary. I closed the switch to complete the circuit.
3	no			Student's answers may vary. I placed a cell in the circuit.
4	no			Student's answers may vary. I placed a bulb in the circuit.



5	no			Student's answers may vary. I closed the switch to complete the circuit.
6	no			Student's answers may vary. I closed the switch to complete the circuit and added a cell to light the bulb and start the motor.

