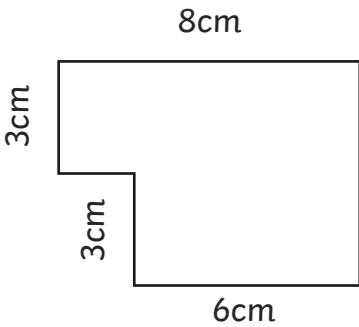
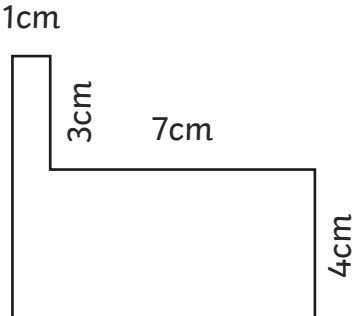
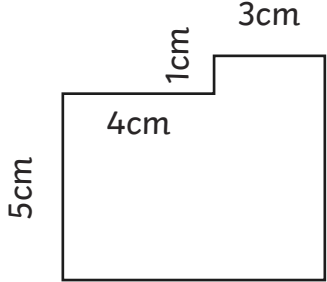
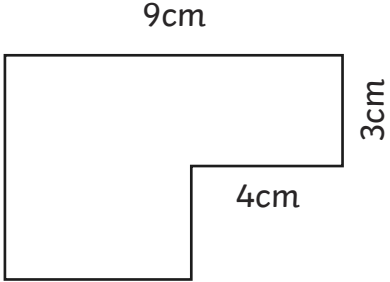
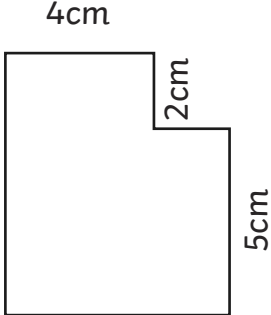
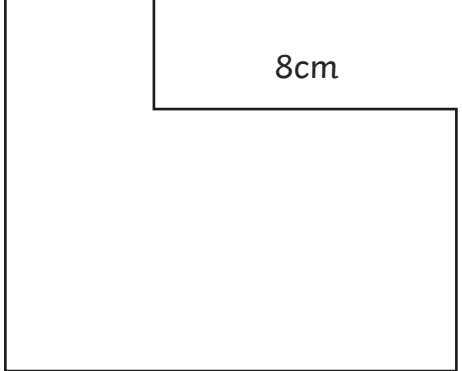


# Area of Compound Shapes

Identify the shapes where the area can be calculated. Calculate the area of each compound shape.

Note: Compound shapes are not to scale.

<p>1)</p>  <p>total: _____</p>	<p>2)</p>  <p>total: _____</p>
<p>3)</p>  <p>total: _____</p>	<p>4)</p>  <p>total: _____</p>
<p>5)</p>  <p>total: _____</p>	<p>6)</p>  <p>total: _____</p>



# Area of Compound Shapes

Identify the shapes where the area can be calculated. Calculate the area of each compound shape.

Note: Compound shapes are not to scale.

<p>7)</p> <p>total: _____</p>	<p>8)</p> <p>total: _____</p>
<p>9)</p> <p>total: _____</p>	<p>10)</p> <p>total: _____</p>

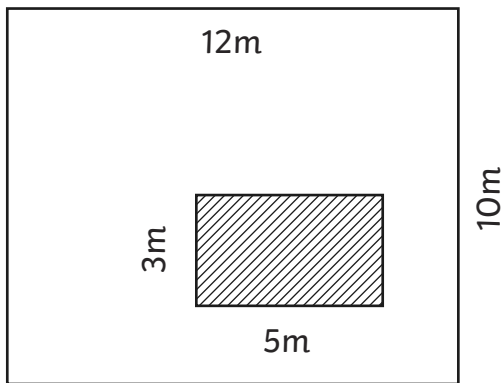


# Area of Compound Shapes

Identify the shapes where the area can be calculated. Calculate the area of each compound shape.

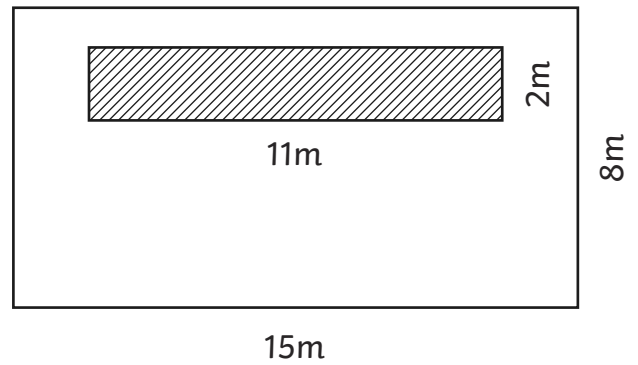
**Note:** Compound shapes are not to scale.

1)



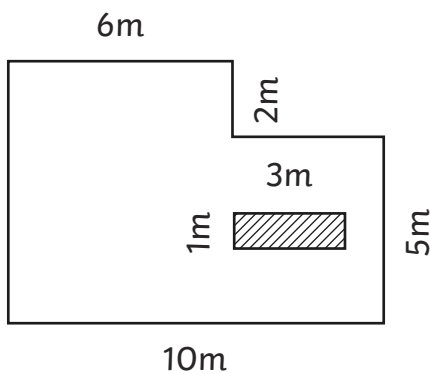
total: \_\_\_\_\_

2)



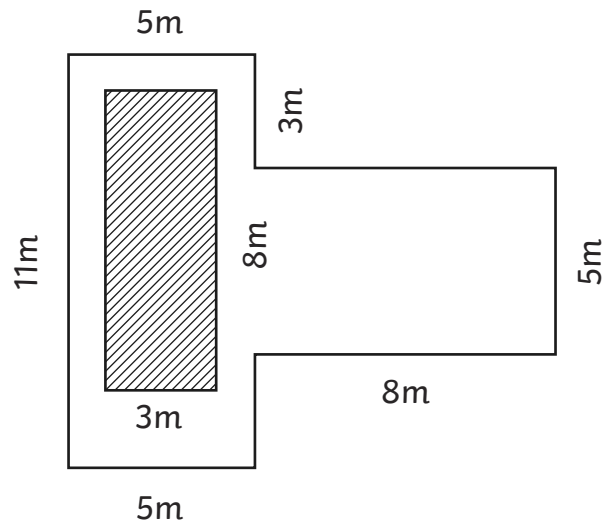
total: \_\_\_\_\_

3)



total: \_\_\_\_\_

4)



total: \_\_\_\_\_

