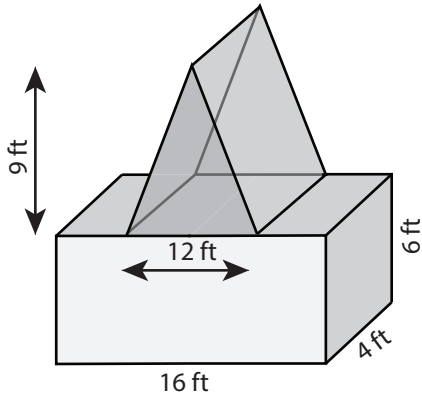


**Volume - Compound Shapes**

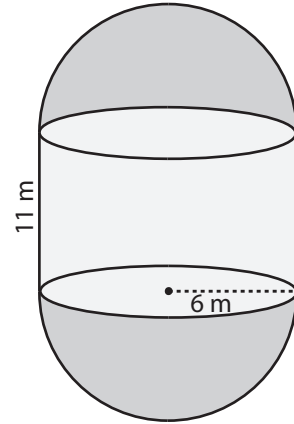
Find the volume of each figure. Round the answer to two decimal places. ( use  $\pi = 3.14$  )

1)



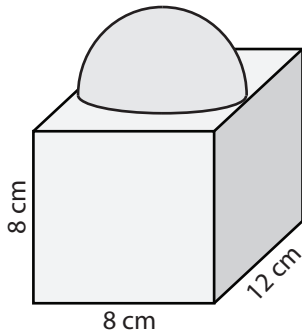
Volume = \_\_\_\_\_

2)



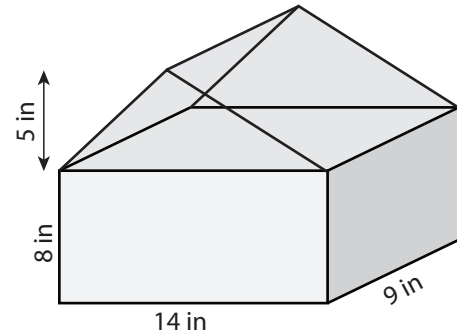
Volume = \_\_\_\_\_

3)



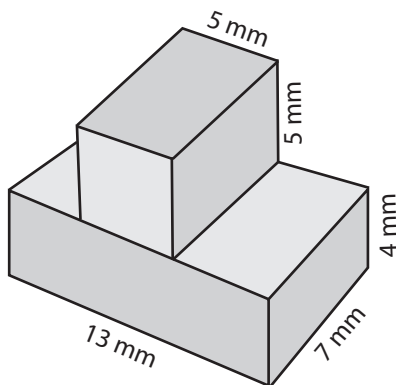
Volume = \_\_\_\_\_

4)



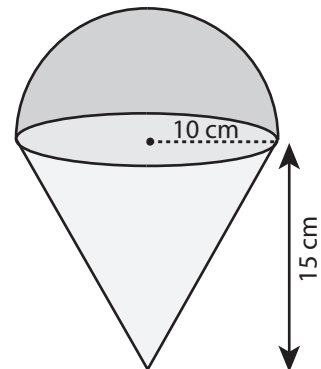
Volume = \_\_\_\_\_

5)



Volume = \_\_\_\_\_

6)



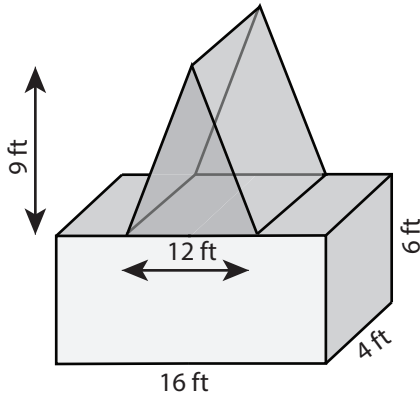
Volume = \_\_\_\_\_

**Answer Key****Volume - Compound Shapes**

Sheet 1

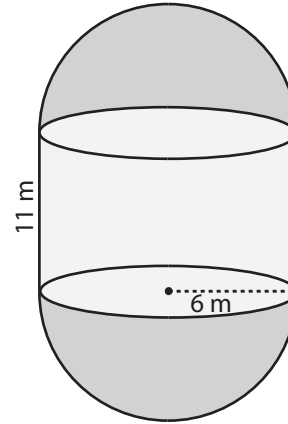
Find the volume of each figure. Round the answer to two decimal places. ( use  $\pi = 3.14$  )

1)



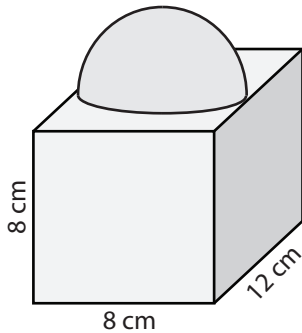
Volume = 600 ft<sup>3</sup>

2)



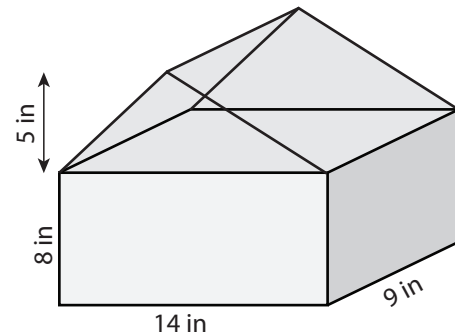
Volume = 2147.76 m<sup>3</sup>

3)



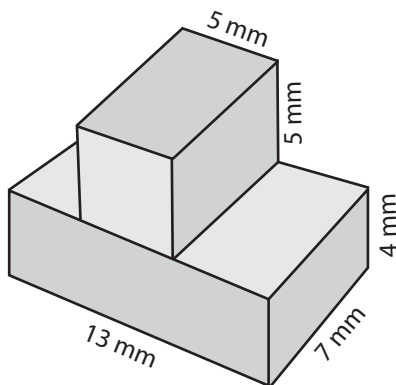
Volume = 901.97 cm<sup>3</sup>

4)



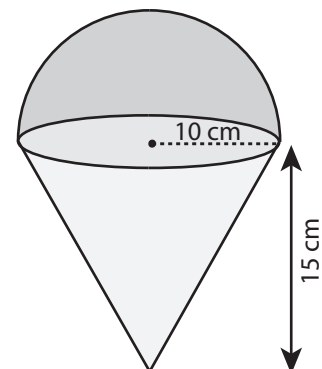
Volume = 1323 in<sup>3</sup>

5)



Volume = 539 mm<sup>3</sup>

6)

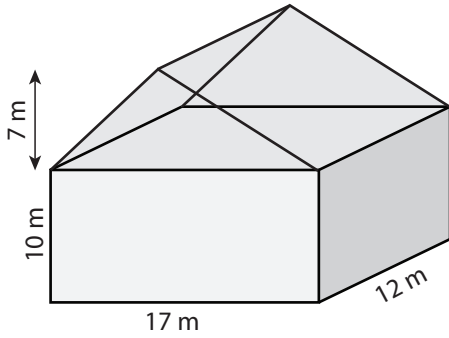


Volume = 3663.33 cm<sup>3</sup>

**Volume - Compound Shapes**

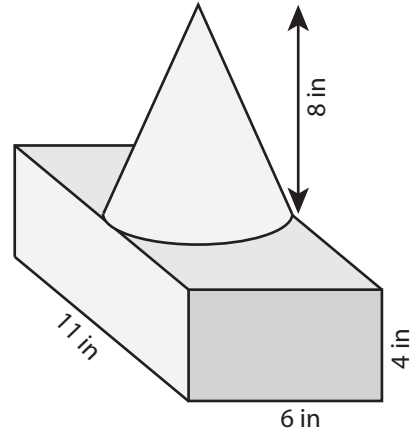
Find the volume of each figure. Round the answer to two decimal places. ( use  $\pi = 3.14$  )

1)



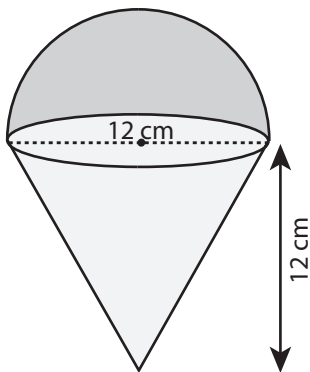
Volume = \_\_\_\_\_

2)



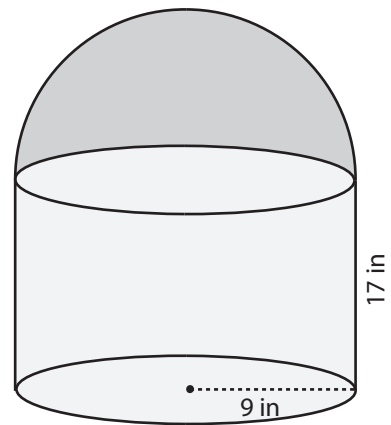
Volume = \_\_\_\_\_

3)



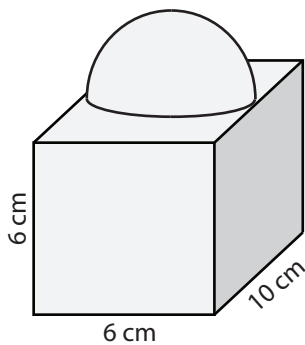
Volume = \_\_\_\_\_

4)



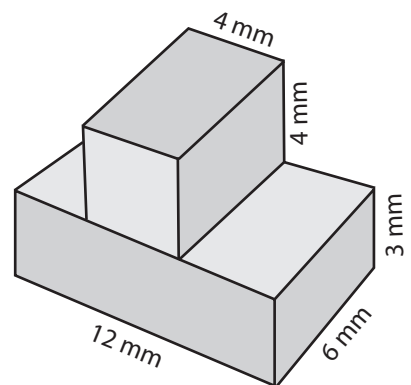
Volume = \_\_\_\_\_

5)



Volume = \_\_\_\_\_

6)



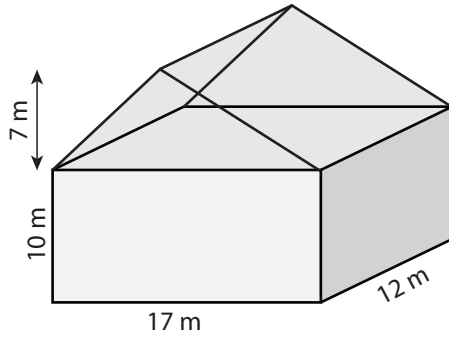
Volume = \_\_\_\_\_

**Answer Key****Volume - Compound Shapes**

Sheet 2

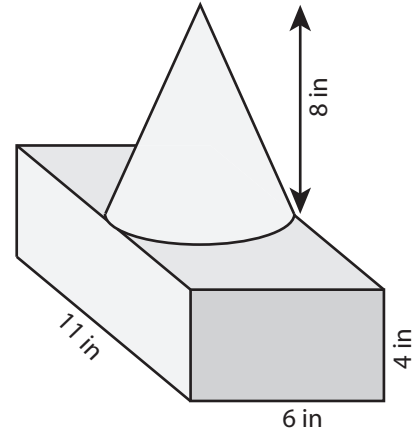
Find the volume of each figure. Round the answer to two decimal places. ( use  $\pi = 3.14$  )

1)



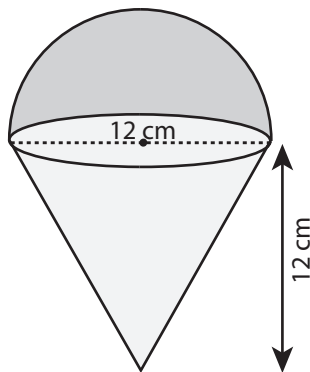
Volume = 2754 m<sup>3</sup>

2)



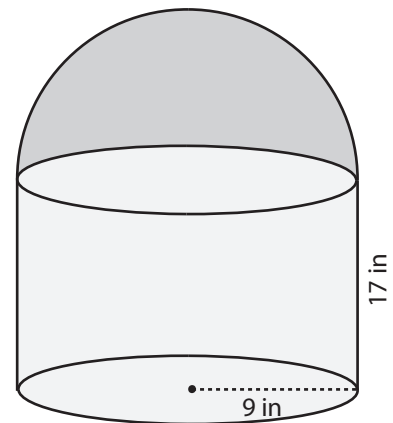
Volume = 339.36 in<sup>3</sup>

3)



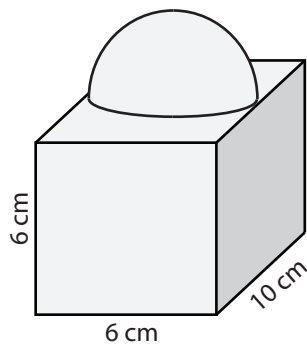
Volume = 904.32 cm<sup>3</sup>

4)



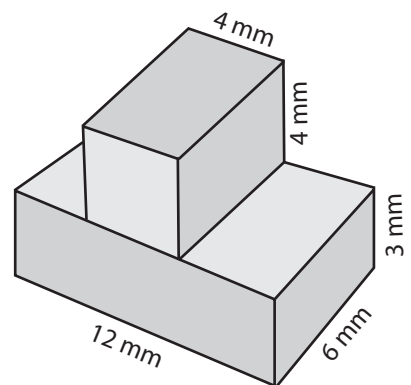
Volume = 5849.82 in<sup>3</sup>

5)



Volume = 416.52 cm<sup>3</sup>

6)

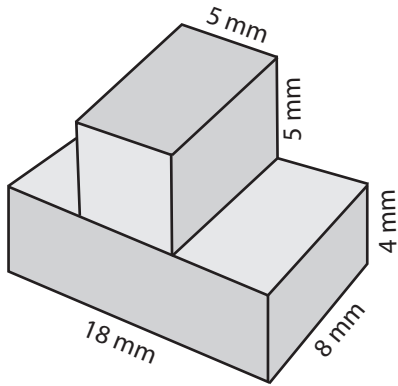


Volume = 312 mm<sup>3</sup>

**Volume - Compound Shapes**

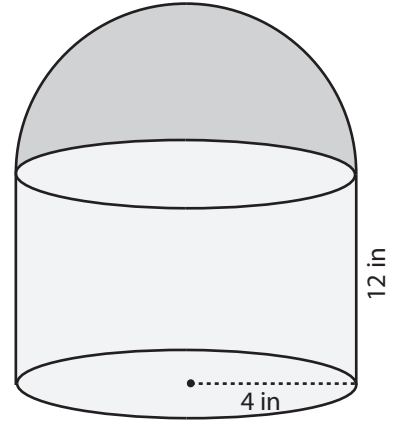
Find the volume of each figure. Round the answer to two decimal places. ( use  $\pi = 3.14$  )

1)



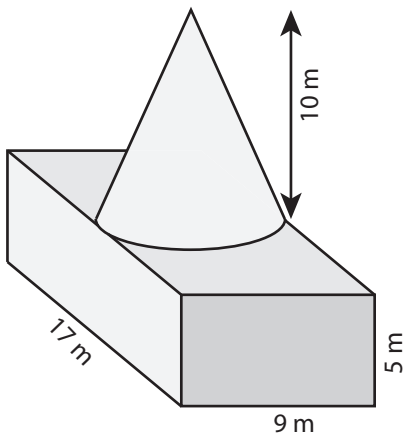
Volume = \_\_\_\_\_

2)



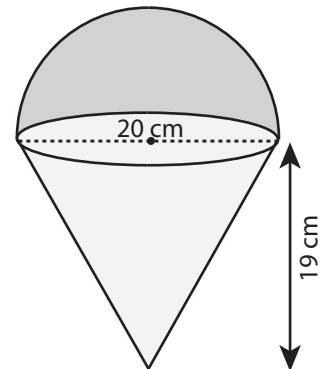
Volume = \_\_\_\_\_

3)



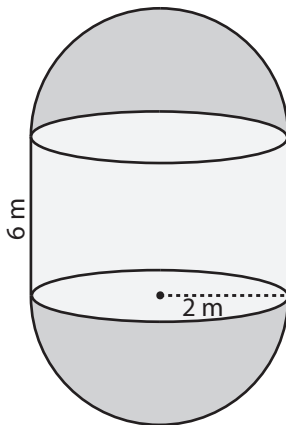
Volume = \_\_\_\_\_

4)



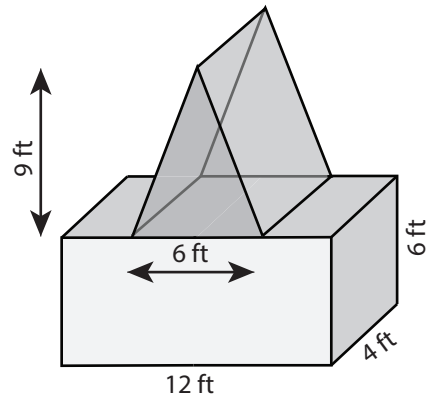
Volume = \_\_\_\_\_

5)



Volume = \_\_\_\_\_

6)



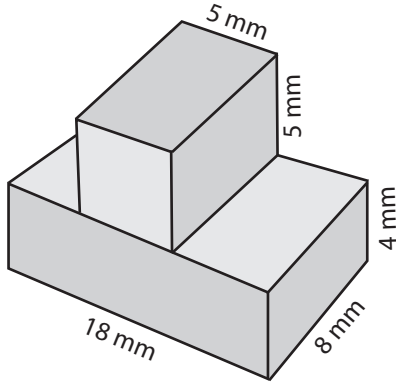
Volume = \_\_\_\_\_

**Answer Key****Volume - Compound Shapes**

Sheet 3

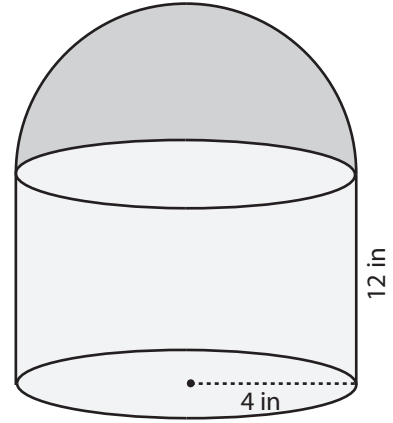
Find the volume of each figure. Round the answer to two decimal places. ( use  $\pi = 3.14$  )

1)



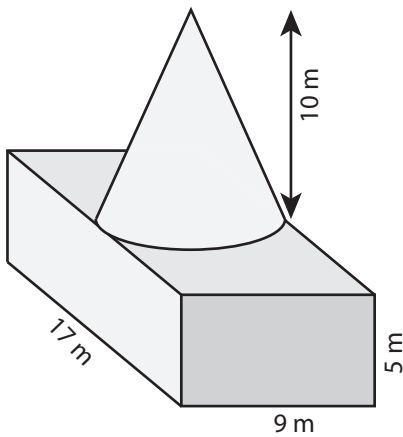
Volume = 776 mm<sup>3</sup>

2)



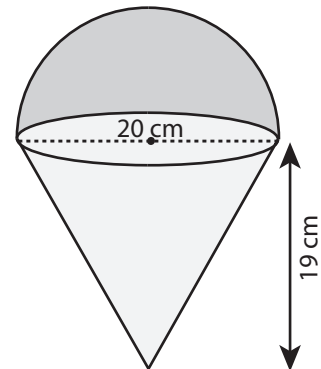
Volume = 736.85 in<sup>3</sup>

3)



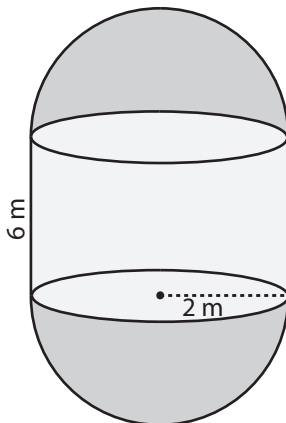
Volume = 976.95 m<sup>3</sup>

4)



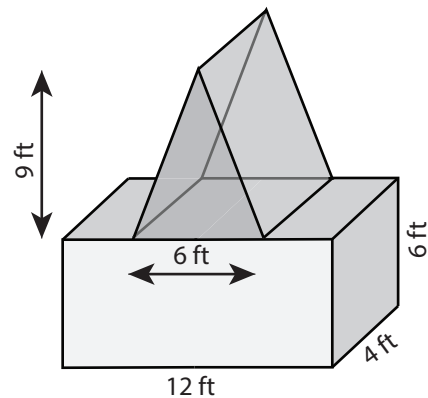
Volume = 4082 cm<sup>3</sup>

5)



Volume = 108.85 m<sup>3</sup>

6)



Volume = 396 ft<sup>3</sup>