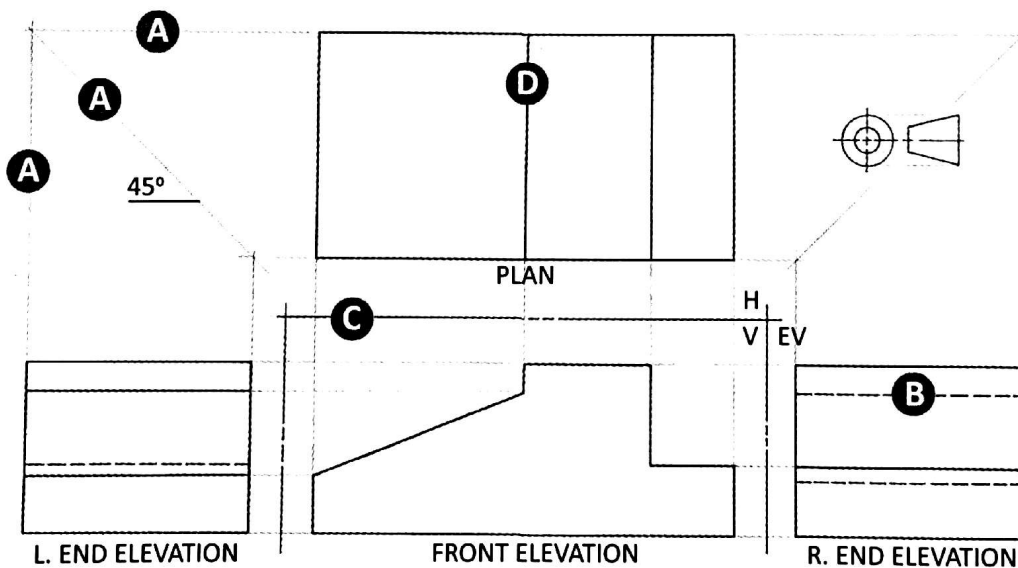
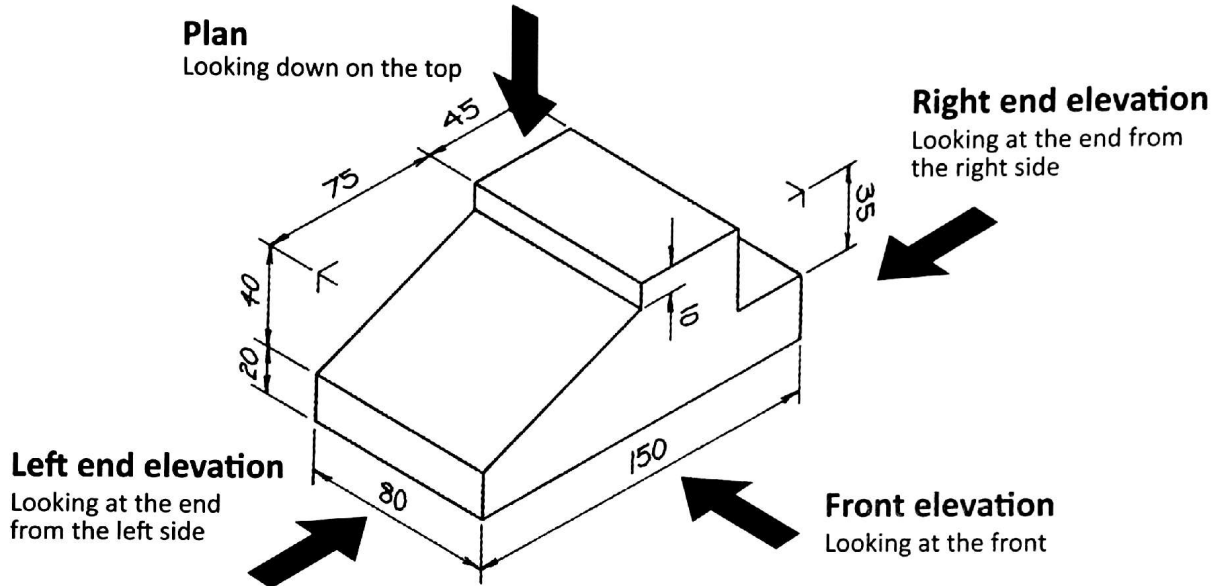


Orthographic Projection

An orthographic projection is a drawing of an object that shows three or more views of the different sides, when looking directly at them, and then drawn in set positions to make one complete drawing. The name comes from the Greek **orthos** (meaning right) and **gonia** (meaning angle). An orthographic projection is sometimes called a *working drawing*. An orthographic projection is a two dimensional drawing (2D).



There are three types of lines used on an orthographic projection – light, medium and dark.

- A Construction lines** – very light and thin, 2H pencil.
- B Hidden detail** – slightly darker than construction lines (medium) and thin, 2H pencil.
- C Reference lines** – the same darkness as hidden detail (medium) and thin, 2H pencil.
- D Outlines** – dark, sharp and thin, 2H pencil. Twist the pencil as you draw.