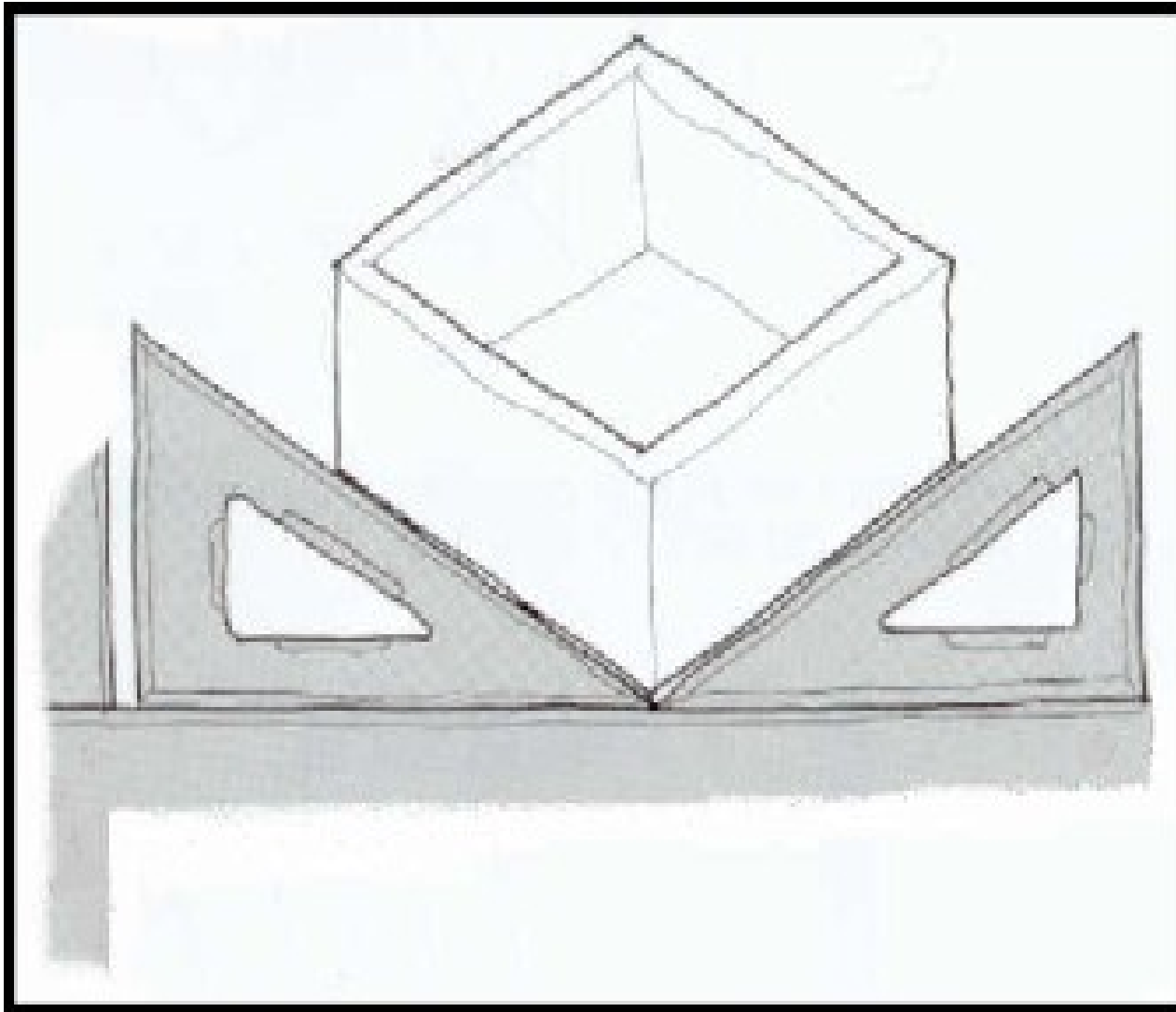


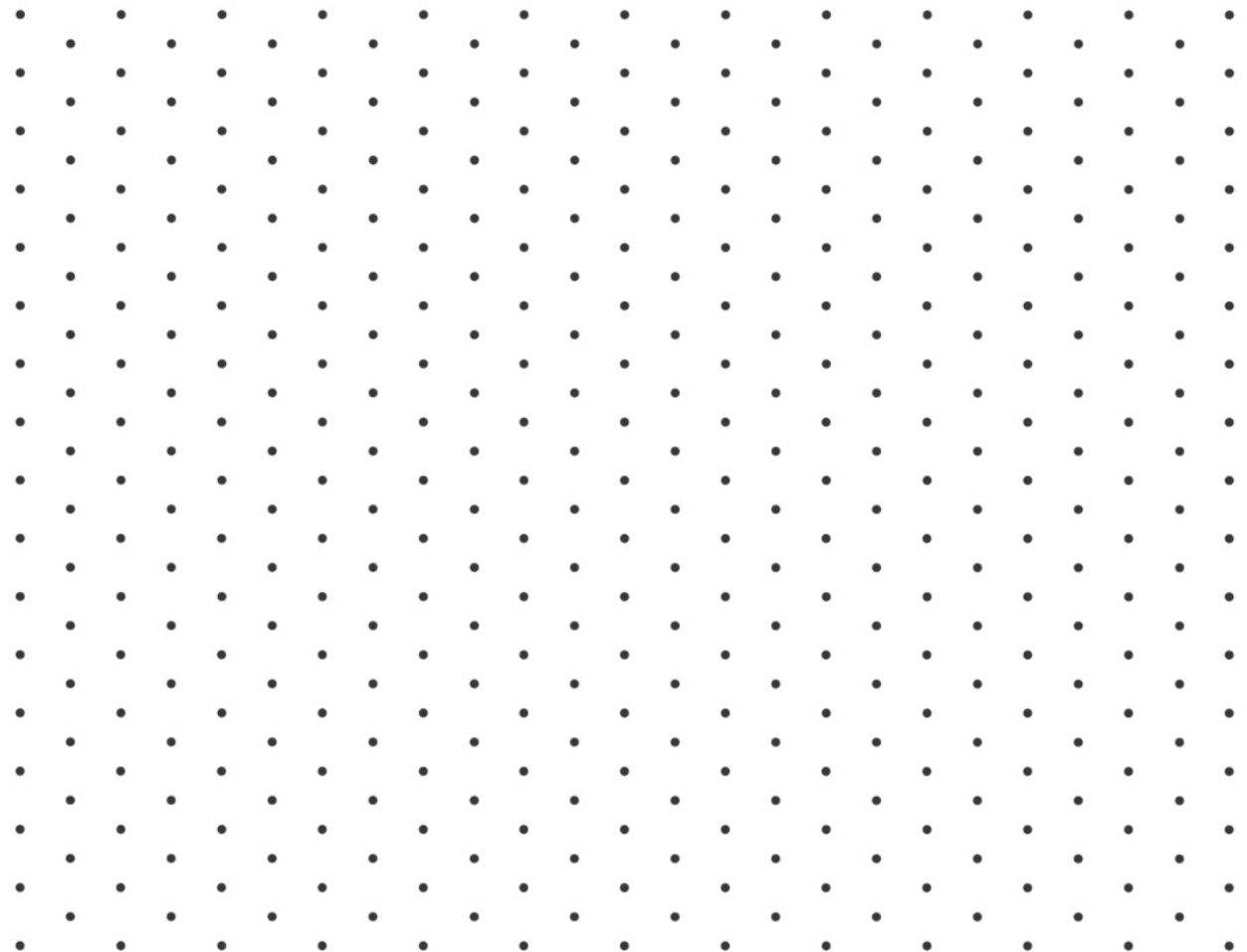
Isometric Drawing 3D - Drawing



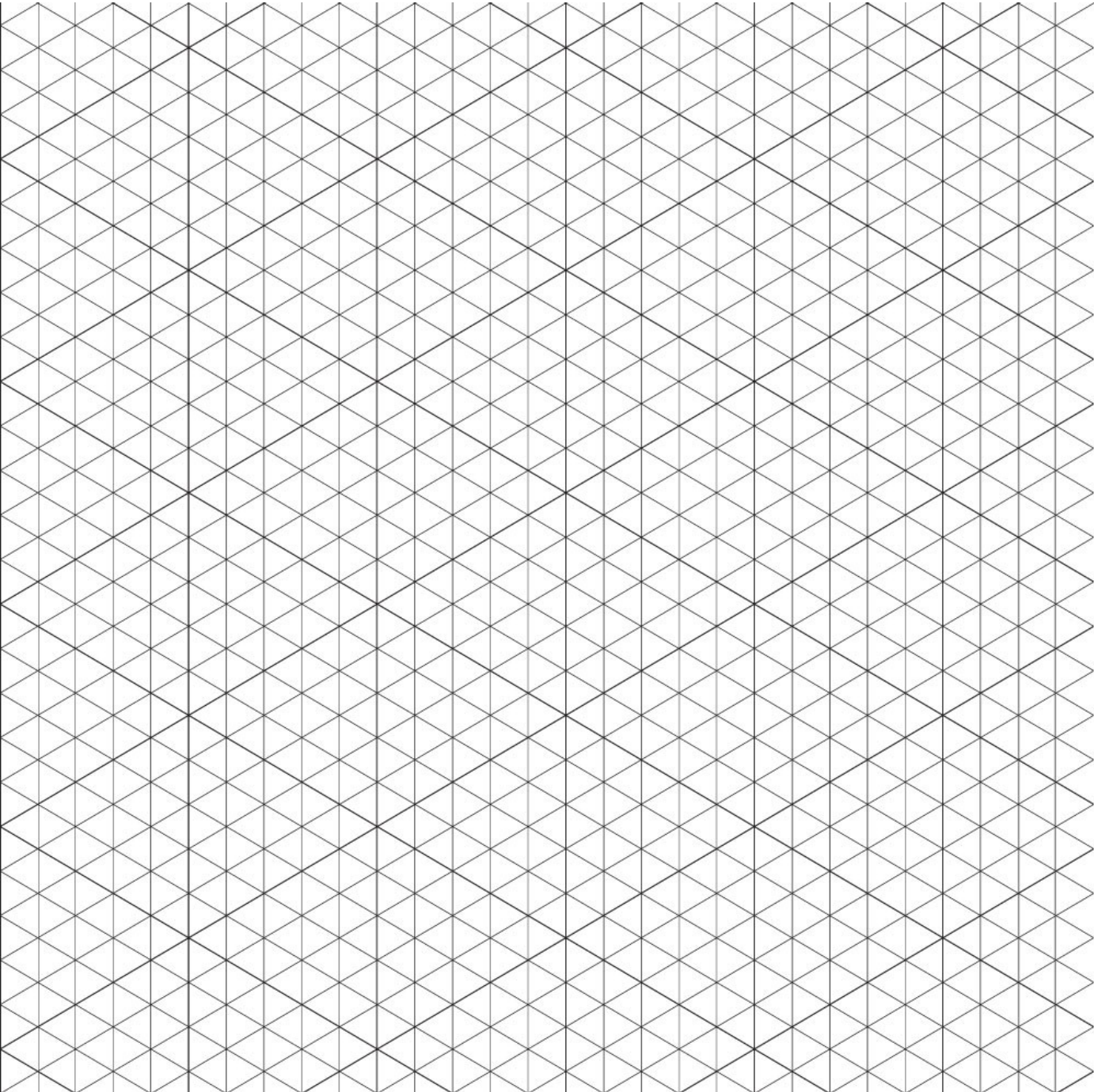
How to Draw Isometric Shape??

1- You need Isometric Paper..

- Dotted



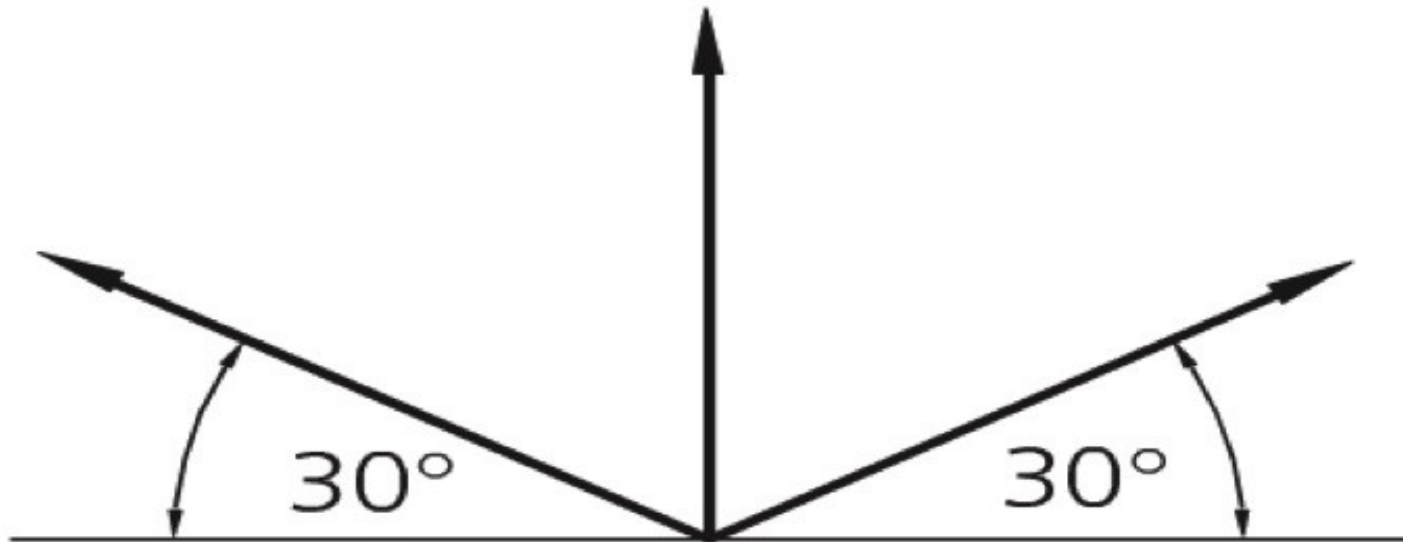
Or Lined..



Drawing with a scale on isometric axes

Isometric Axes

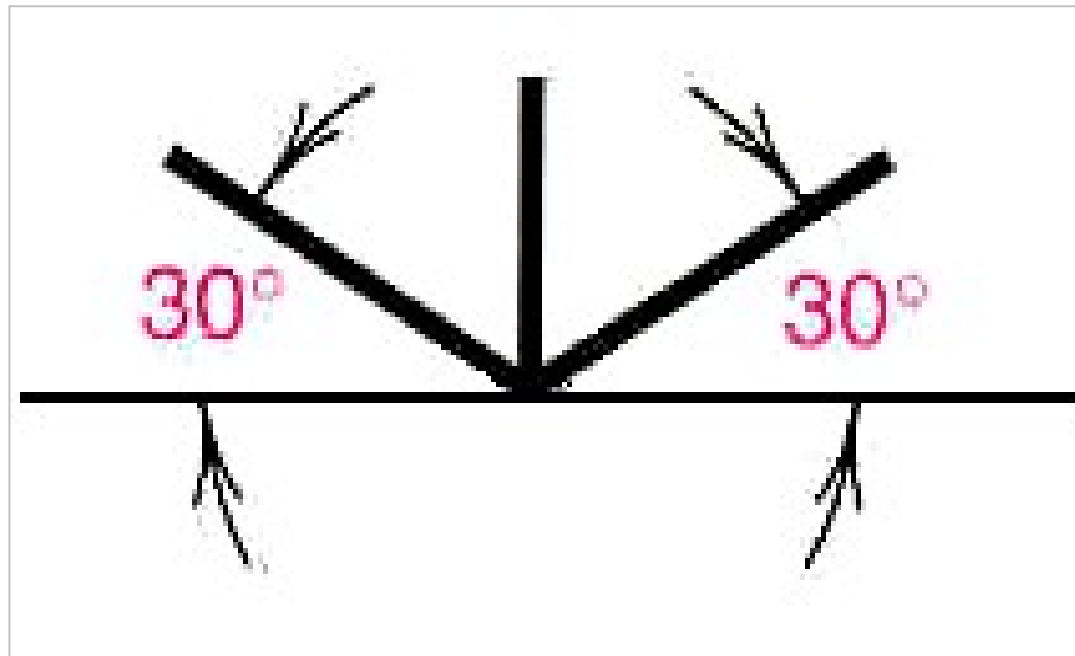
- Vertical lines remain vertical
- Horizontal lines are inclined at 30 degrees
- Used to produce realistic looking 3D views



Steps of drawing 3D isometric shape

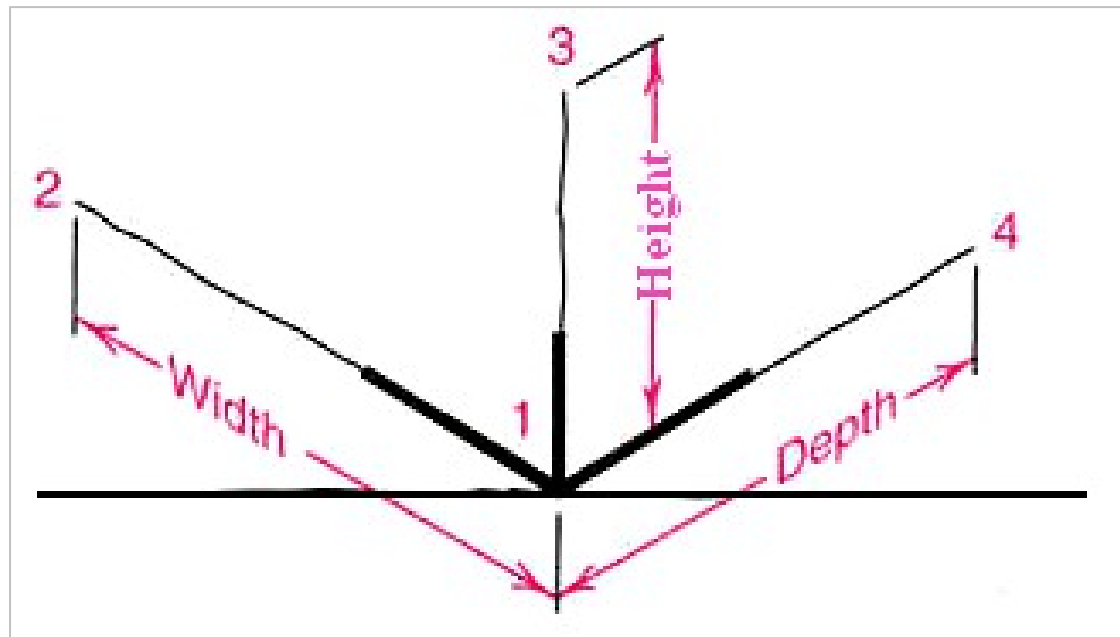
Step 1

Isometric sketches begin with defining isometric axes, three lines, one vertical and two drawn at 30° from the horizontal.



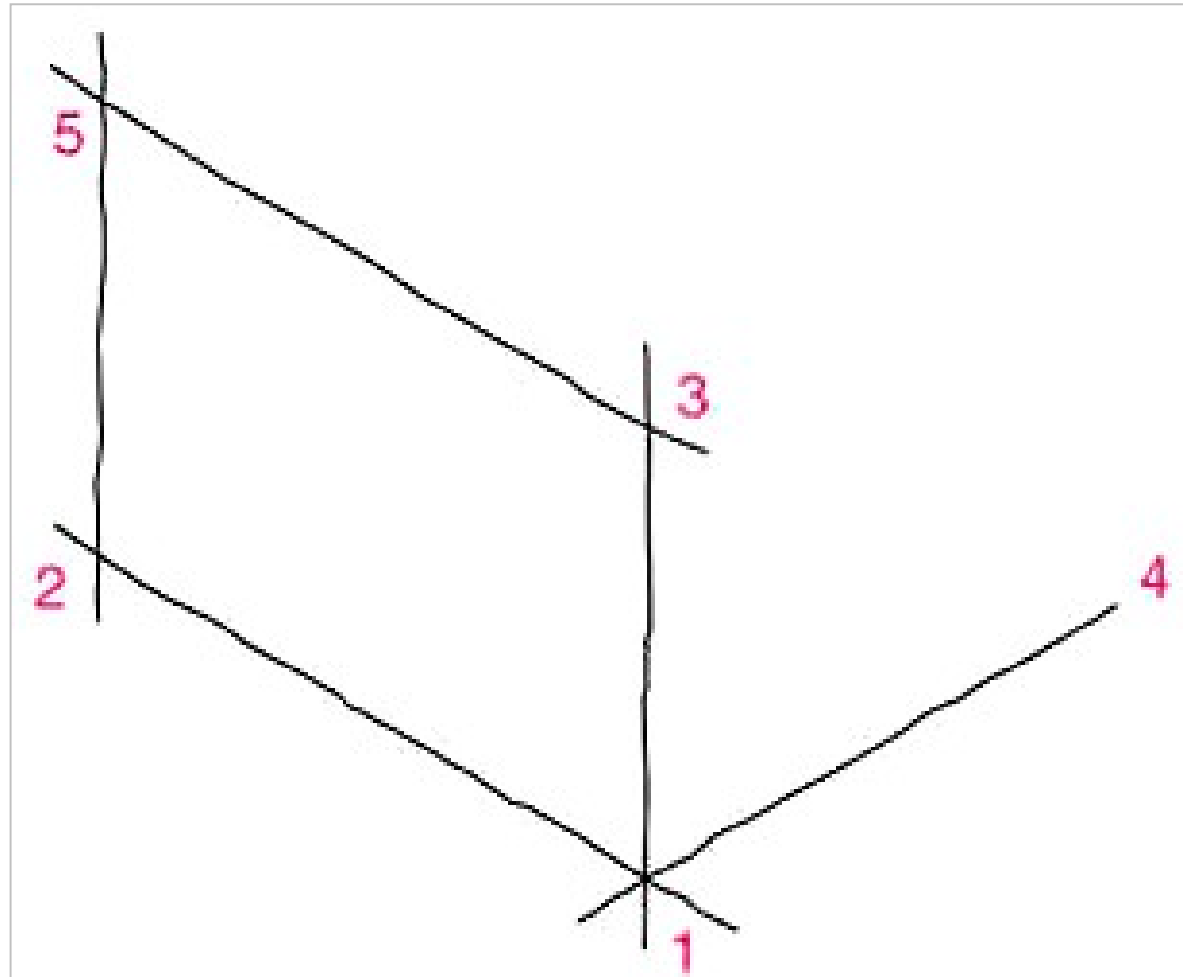
Step 2

Three lines of the isometric axes represent the three primary dimensions of the object: width, height, and depth



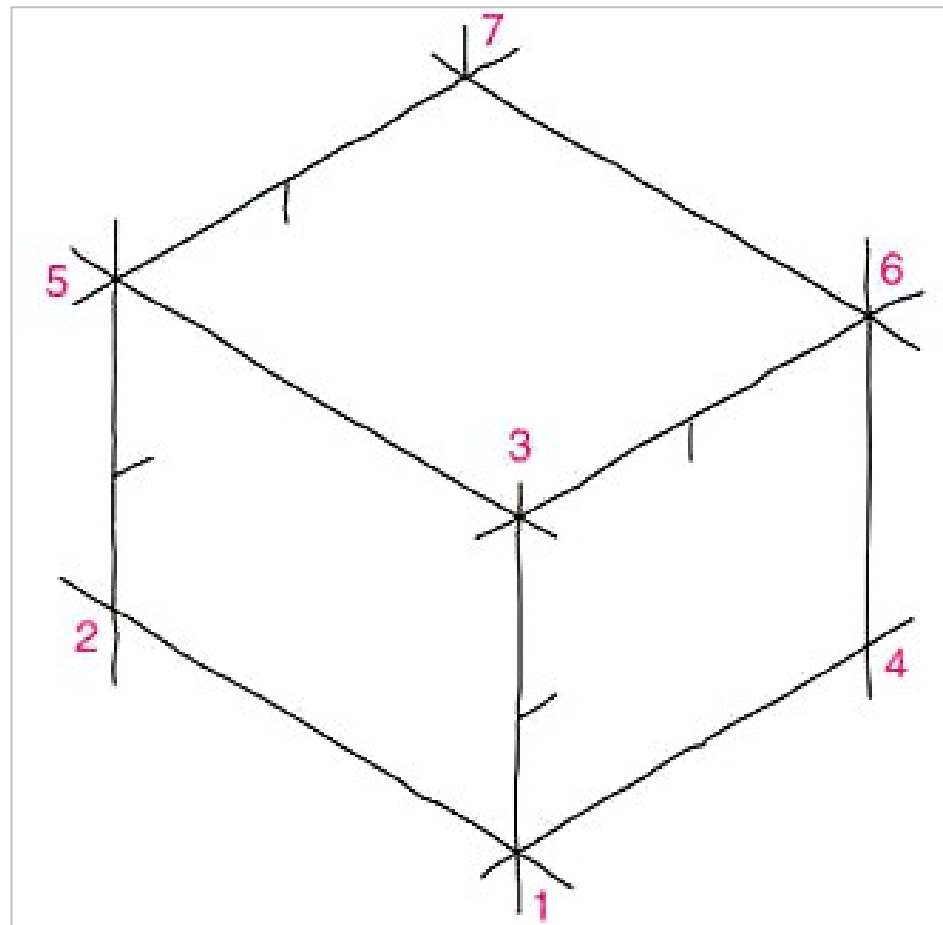
Step 3

Draw the front face of the isometric block.



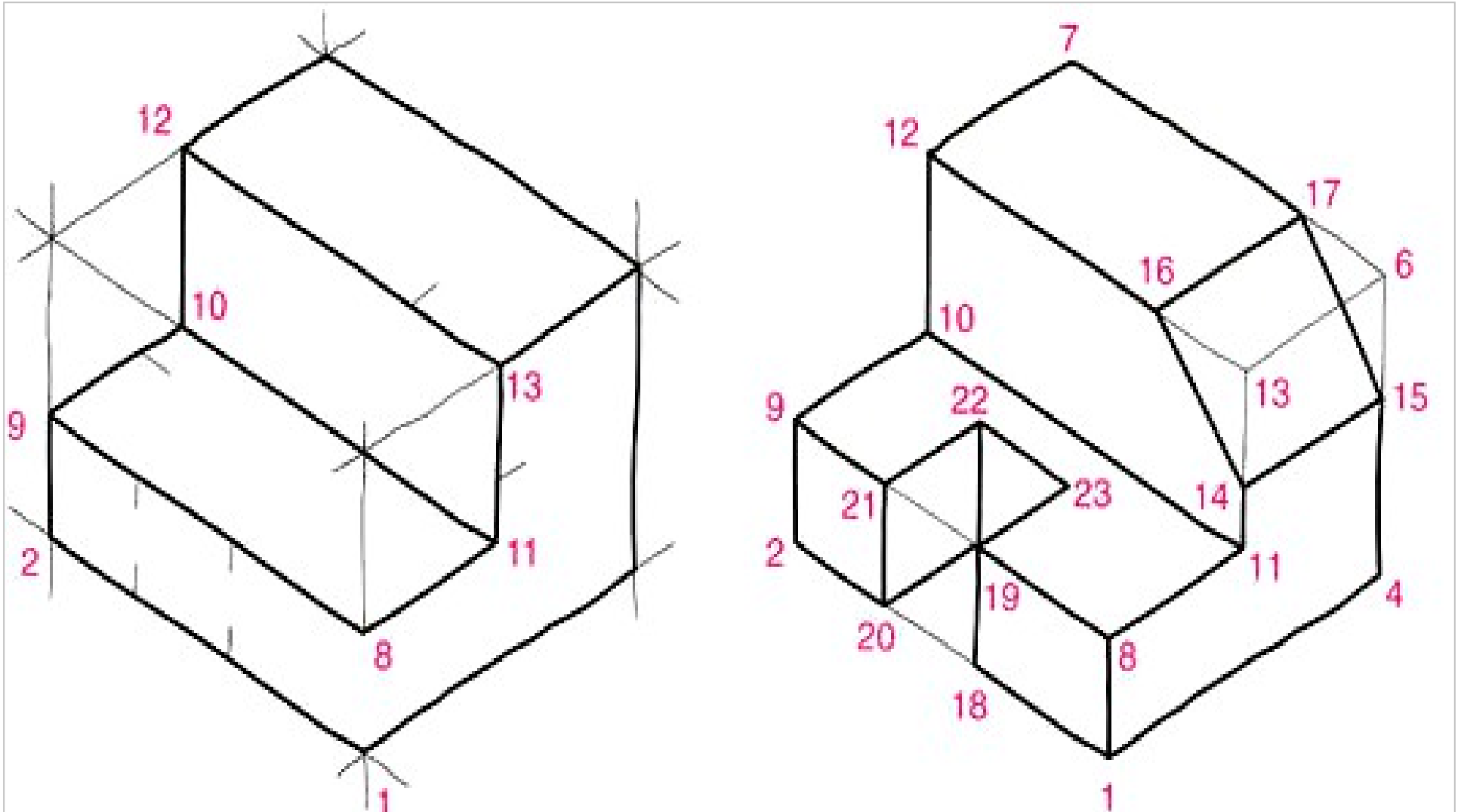
Step 4

Draw the rest of the isometric block.



Step 5

Add details to the block starting from the front face. Then add details to the other faces.



Step 6

Darken all visible lines to complete the isometric sketch. (make sure that construction lines are light)

